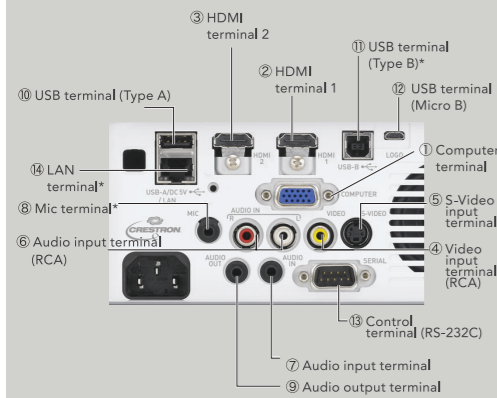


MODEL SPECS

INTERFACES

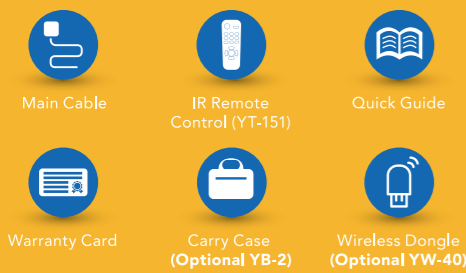


*Supported models: XJ-F20XN/F200WN/F210WN

MAIN FUNCTIONS

- Built-in Speaker <16w>
- Presentation Timer
- USB Memory Compatible*
- Wireless Connection Compatible*
- C-Assist
- Intelligent Light Control
- Wide-angle Zoom Lens <1.5x>
- Automatic Vertical Keystone Correction
- Ceiling-mounted Projection Compatible
- Anti-theft Lock
- HDMI Terminal
- Wired LAN Terminal*
- USB Display*

ACCESSORIES INCLUDED WITH PRODUCT:



- *1 When "Bright" is selected for "Light Control Off mode" or "Eco Off mode".
- *2 Plug-in power type microphone are not supported.
- *3 Connectable devices: CASIO digital camera, USB memory (Commercially available. Compatibility with all USB memory devices not guaranteed.).
- *4 For firmware update.
- *5 With connection of wireless LAN adaptor to USB-A (Host) port.
User's manual and Network manual available for downloading on CASIO website.

Function	Advanced Models				
	XJ-F10X	XJ-F20XN	XJ-F100W	XJ-F200WN	XJ-F210WN
Brightness*1	3300 lumens				
Display system	DLP® chip x1, DLP® system				
Display chip	XGA 0.55 inches		WXGA 0.65 inches		
	786,432 pixels (1024 dots x 768 dots)		1,024,000 pixels (1280 dots x 800 dots)		
Contrast ratio	20000 : 1				
Vertical keystone correction	+30° (automatic), ±30° (manual)				
Focus type	Manual Focus				
Projection lens	1.5X manual zoom				
	F=2.31-2.73/f=18.9-27.2				
Projected image size	30 to 300 inches		35 to 300 inches		
Throw Ratio	1.66 - 2.42:1m		1.32-1.93:1m		
	60-inch	1.95-2.87m	1.64-2.42m		
distance Projection	100-inch	3.33-4.85m	2.81-4.11m		
	Minimum projection distance	0.93m	0.92m		
Light source (estimated life)	Laser & LED (up to 20,000 hours)				
Color reproduction	Full color (up to 1.07 billion colors)				
Scanning frequencies	Horizontal		15-91kHz		
	Vertical		50-85Hz		
Computer input	Native	XGA (1024x768)	WXGA (1280x800)		
	Analog input signal	WUXGA (1920x1200)			
	Analog input terminal	mini D-Sub 15 pin x1			
	Monitor out terminal	—			
	Digital input signal	WUXGA (1920x1200)			
Digital input terminal	HDMI Type A x2				
Video input	Analog input signal	Component signal : 480i-1080p, S/Composite : NTSC/PAL/PAL-N/PAL-M/PAL60/SECAM			
	Analog input terminal	Component : YCbCr/YPbPr (used for both analog computer input and component input), Analog video : Composite (RCA) x1, S-video x1			
	Digital signal (HDMI)	480p-1080p (used for both digital computer input and digital video input)			
Audio	Input	3.5mm stereo mini jack x1, RCA x1 [R/L]	3.5mm stereo mini jack x1, RCA x1 [R/L], 3.5mm monoaural mini jack (for Mic.) x1*3	3.5mm stereo mini jack x1, RCA x1 [R/L]	3.5mm stereo mini jack x1, RCA x1 [R/L], 3.5mm monoaural mini jack (for Mic.) x1*3
	Output	3.5mm stereo mini jack x1 (variable audio)			
Speaker	16Wx1 monoaural				
USB host	—	USB 2.0 Type-A x1**	—	USB 2.0 Type-A x1**	
	USB power supply	5V/2A USB Type-A x1 (dedicated power supply terminal)	5V/2A (shared with USB host terminal)	5V/2A USB Type-A x1 (dedicated power supply terminal)	5V/2A (shared with USB host terminal)
Other terminals	—	USB 2.0 Type-B x1	—	USB 2.0 Type-B x1	
	USB function	USB 1.1 Micro-B x1**			
Control (Serial)	RS-232C (D-Sub 9 pin) x1				
LAN	—	RJ-45 x1	—	RJ-45 x1	
Internal memory storage	—	2GB	—	2GB	
Wireless LAN support	—	IEEE 802.11 b/g/n**5 (requires separately available YW-40 wireless LAN adaptor)	—	IEEE 802.11 b/g/n**5 (requires separately available YW-40 wireless LAN adaptor)	
Power requirements	AC 100 to 240V, 50/60Hz				
	Operating (default setting) (Light Output 7)	160 W	165 W	140 W	165 W
	Operating (minimum setting) (Light Output 1)	80 W	85 W	70 W	85 W
	Operating (Bright)	195 W	205 W	165 W	205 W
	Standby AC 100-120V Remote OFF/ON	0.12W/-	0.12W/1.9W	0.12W/-	0.12W/1.9W
Standby AC 220-240V Remote OFF/ON	0.23W/-	0.23W/2.3W	0.23W/-	0.23W/2.3W	
Noise Level	29dB (Eco Mode) 36.5dB (Normal)				
Approximate dimensions (WxHxD)	298x97x299mm				
Approximate weight	3.8kg				
Security compatibility	Kensington Compatible, Power On Password				

CASIO PROJECTORS



FOSTERING FUTURE BUSINESS RELATIONS WITH ADVANCED TECHNOLOGY.

ADVANCED Series
XJ-F10X XJ-F20XN XJ-F100W XJ-F200WN XJ-F210WN



*Actual worldwide sales (2010 - 2015) Solid State Illumination Light Source projectors rated at 2,500 lumens or higher. Source: Futuresource Consulting Ltd.

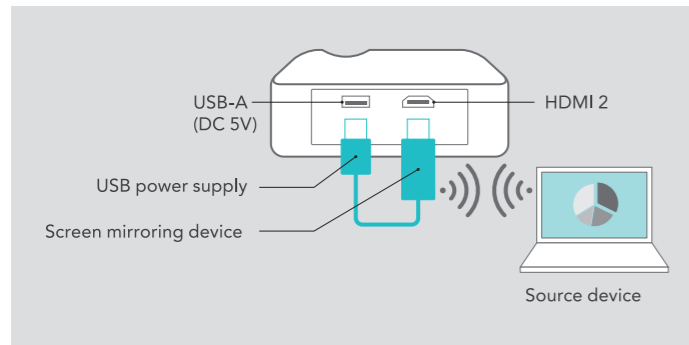
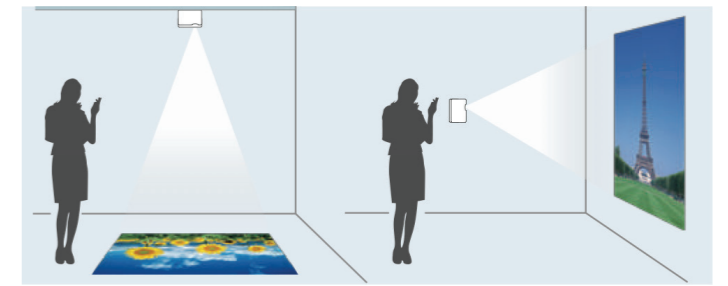
ADVANCED Series

High-end performance for your every need.



1.5X ZOOM LENS & 360° INSTALLATION

The 1.5x zoom lens allows for flexible installation by maintaining clear screen resolution regardless of the projector-screen distance. As such, the projector can be installed on any angle, including a vertical mount for portraits and floor or ceiling mount for perpendicular projections.



The DC5V/2A USB port allows you to mirror your device onto the big screen, without the need for an external power source. This gives you a seamless and unimpeded presentation experience.

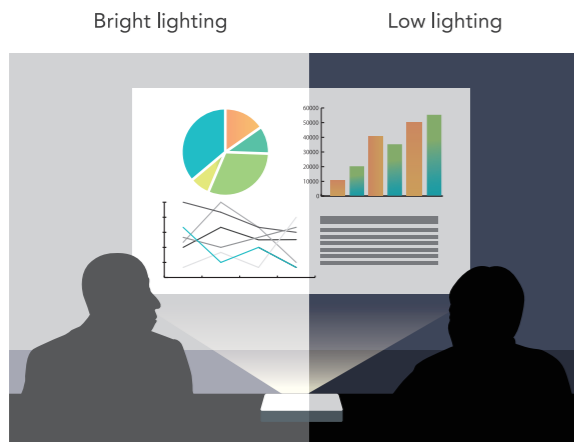
SCREEN MIRRORING MADE POSSIBLE

PRESENTATION WITHOUT CABLES*



With wireless connection available, you can project the information prepared on your PC wirelessly and play any music attached to it directly from the projector. The Advanced Series is also equipped with a flash drive port to allow easy connection without having to connect to a PC.

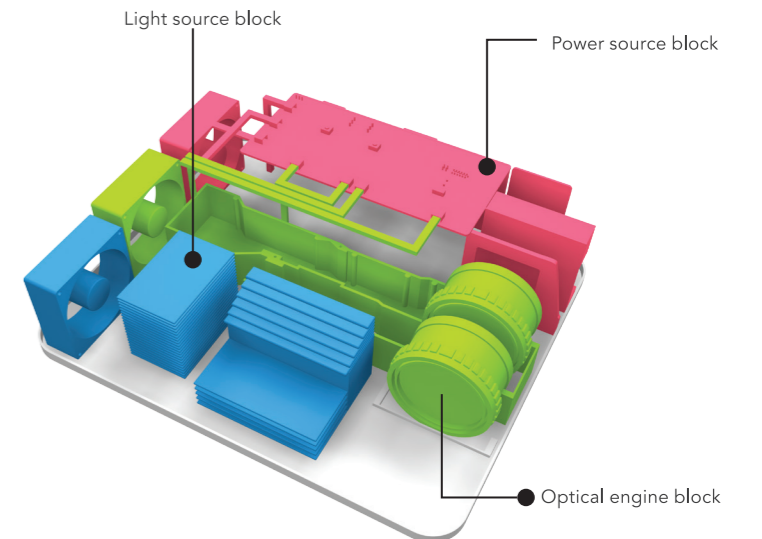
*Supported models: XJ-F20XN/F200WN/F210WN
Wireless LAN connection requires a separate adapter.



Automatic projection luminance adjustment contributing to power saving

INTELLIGENT LIGHT CONTROL

The light sensors on the Advanced models detect ambience light and adjust the projection brightness automatically within 7 different brightness levels.



DUST RESISTANCE STRUCTURE

Apart from looking stylish, the Advanced Series projector cabinet has a unique structure made up of three separate blocks and a tightly shielded primary light source. This structure suppresses dust intrusion to ensure optimum performance even in dusty environments.

VERTICAL KEYSTONE CORRECTION

Trapezoidal distortion caused by tilting of projector up or down are corrected automatically within $\pm 30^\circ$. Alternatively, it can be adjusted manually in 7 easy steps.



Before correction



After correction